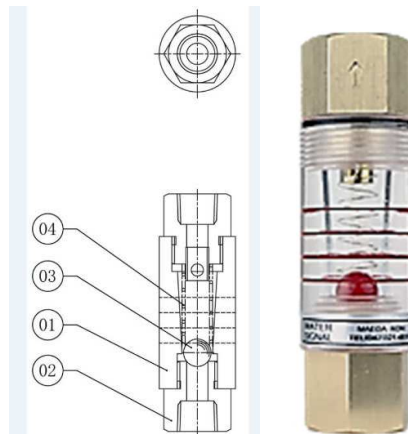


MKT TYPE WATER SIGNAL/OIL SIGNAL

- Since this product is using the tube of taper form for a transparent tube, it can be used also as a flow rate viewing type of a short form by seeing the related position of a ball and the indicating red line.
- Since the spring is being used for this product in a transparent tube, the postures when attaching are freedom, such as facing up, facing down, and sideways.
- The heat resistant is 80 °C.
- Standard pressure resistance : 1MPa
- Please be sure to announce the kind of fluid, a flow rate (the maximum, daily use, the minimum), and the viscosity of oil in the case of an order, since a spring is selected so that a ball may operate certainly by the operating flow rate.

No.	Name	Material
01	Transparent tube	Acrylic resin
02	Joint	Brass
03	Ball	Nylon
04	Spring	SUS 304



MKT TYPE (WATER SIGNAL)

Type		Dimension (mm)			Maximum flow rate (L/min)
		connection	length	width	
Threaded Type	MKT25-1TW	Rc1/8	78	25	Oil 6
	MKT25-2TW	Rc1/4	78	25	6
	MKT25-3TW	Rc3/8	84	25	6
	MKT30-2TW	Rc1/4	104	30	20
	MKT30-3TW	Rc3/8	104	30	20
	MKT30-4TW	Rc1/2	110	30	20

MKT TYPE (OIL SIGNAL)

Type		Dimension (mm)			Maximum flow rate (L/min)
		connection	length	width	Oil
Threaded Type	MKT25-1TL	Rc1/8	78	25	5
	MKT25-2TL	Rc1/4	78	25	5
	MKT25-3TL	Rc3/8	84	25	5
	MKT30-2TL	Rc1/4	104	30	10
	MKT30-3TL	Rc3/8	104	30	10
	MKT30-4TL	Rc1/2	110	30	10
Copper Pipe Type	MKT25-4	$\phi$ 4	96	25	1.5
	MKT25-6	$\phi$ 6	98	25	3
	MKT25-8	$\phi$ 8	100	25	5
	MKT25-10	$\phi$ 10	105	25	5

MAEDA KOKI